

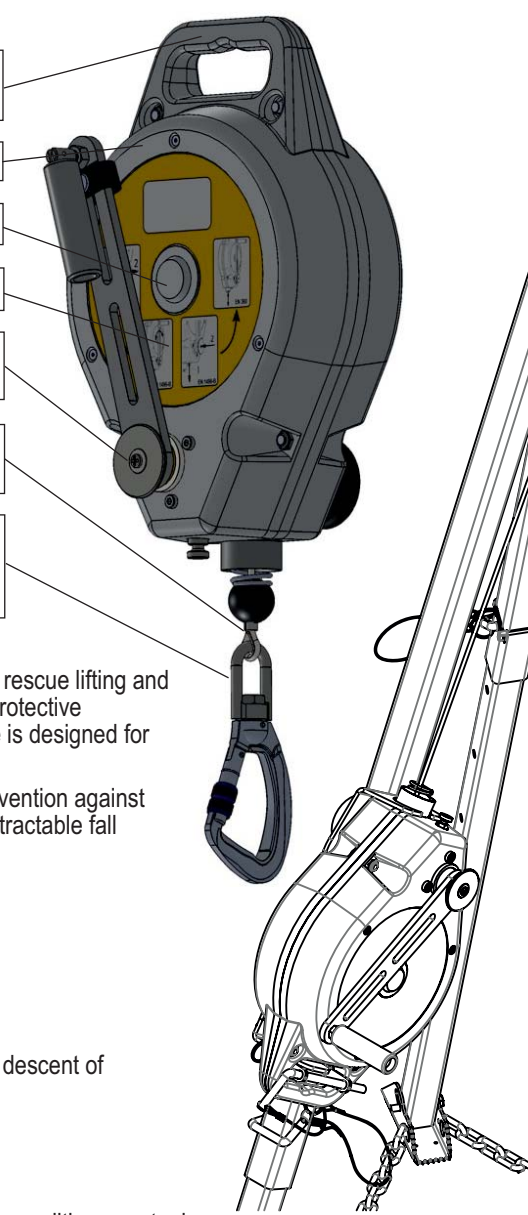
EN 360:2002
EN 1496:2006 class B

Reference number: **ENROLCABLE25**
Ref.: **EESER30025**

Read and understand the manual before use the equipment

GENERAL DESCRIPTION

- Connecting handle -for transporting and anchoring to structure
- Casing made of aluminium alloy.
- Cable retractor with energy dissipating brake.
- Informative and identity labels
- Lifting and lowering hand operated winch with automatic brake.
- Working cable made of 4.7mm galvanized steel wire rope.
- Snap hook with swivel function (Range of alternative hooks with fall indicator as an option)



The retractable-type fall arrester device including rescue lifting and lowering device is a component of the personal protective equipment against falls from a height. The device is designed for protection one person only.

The device performs two functions relating to prevention against falls from a height - fall arresting function (as a retractable fall arrester) and rescue function.

TECHNICAL DATA

- maximum rated load - 140kg;
- minimum rated load - 50 kg;
- working length - 25 m;
- automatic brake which prevent self-contained descent of a person;
- hand operated winch;

TIME OF USAGE

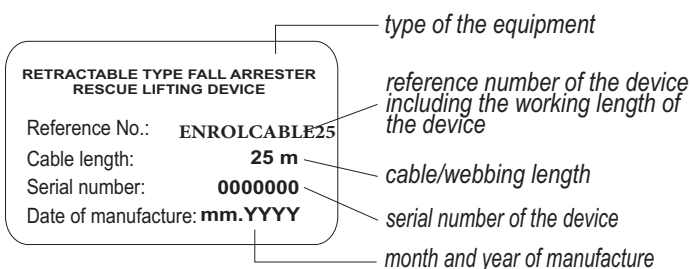
There is no limit of use of the ENROLCABLE25n condition punctual carried out annual inspections device o .

RELATIVE STANDARDS AND CERTIFICATION

- 1) EN360:2002 - Equipment usage as a retractable type fall arrester. Covered by the EC type certificate.
- 2) EN1496:2006 type B - Equipment usage as a rescue lifting device. Not covered by EC type certificate.

The Notified Body involved with EC type examination and in the production control phase: APAVE SUDEUROPE SAS, CS 60 193, 13322 Marseille, France.

MARKING OF THE DEVICE



- use only a full body harness conform to EN 361
- don't release unwinded cable rapidly
- don't repair the device yourself
- don't use the device with damaged cable
- before use read and understand the manual
- maximal lifting distance
- admissible weight of the user
- store the device in a protected place
- maximal admissible cable deflection from the vertical line
- Inspect the device before each use
- range of operating temperatures
- check locking before each use

CE 0082 — CE mark and notified body number inspecting the equipment according to the Directive 89/686/EEC

L'ECHELLE HEUROPEENNE — device manufacturer or distributor



Month and year of the manufacturer's next inspection. Don't use the device after this date. Attention: Before the first use mark the date of the next inspection (date of first use +12 months)

EN 360:2002 — relative standard numbers
EN 1496:2006 class B — and year of parution; class of the device

ENROLCABLE25 UTILIZATION RULES FOR PERSONAL PROTECTION ACC. TO EN360

For personal protection the ENROLCABLE25 may be installed on any structural element or on range of tripods listed in this manual. The device may be used in vertical position (suspended) or installed on tripod's leg [see **UTILIZATION WITH A TRIPOD**].

Anchor device or anchor point should always be positioned, and the work carried out in such a way as to minimise both the potential fall and potential fall distance. The structural anchor point should be placed above the user's position, should have stable structure and its shape shall not allow to self-acting disconnection. The minimal strength of the structural anchor point should be not less than 12kN. It is recommended to use certified and marked structural anchor or device, conform to EN795 standard. Connecting the fall arrester to a structural anchor point should be done by joining the arrester handle to a structure with the aid of the AZ017 connector or sling complying with EN362 or EN795 standards (fig.2-1).

A full body harness conform to EN361 should be applied for user's body keeping during employment the EN360 function. The ENROLCABLE25 lanyard should be connected only to

ENROLCABLE25 UTILIZATION RULES FOR RESCUING ACC. TO EN1496

For rescuing purposes, the ENROLCABLE25 may be installed on any structural element (suspended in vertical orientation) or on range of tripods listed in this manual.

The ENROLCABLE25 may be attached to a stable structural element of minimal strength not less 12kN. The device connection to the structural anchor should be done with the aid of a connector (ref. AZ017) or sling complying with EN362 or EN795 standards (fig.2-1). The ENROLCABLE25 may be attached to a tripod's head (suspended in vertical orientation) or installed on tripod's leg. [see **UTILIZATION WITH A TRIPOD**]

A recommended body holding device for a rescuee are: (1) an EN1497 rescue harness or (2) an EN361 full body harness. The ENROLCABLE25 lanyard should be connected to the

SWITCHING BETWEEN EN360 AND EN1496 FUNCTION

Only one of the EN360 or EN1496 functions of the device may be applied at the same time. To change the function, the operation described on the fig.3-1 and 3-2 should be done. In particular, to change from EN360 to EN1496 function, pull out the locking pin "a" and next pull out the crank axle "b" (fig.3-1). Then, in the consequence of cranking, the device cable is moved up or down, under control.

full body harness fastening points (buckles, loops) marked with the capital letter "A" (fig.2-3). A connection between device and the harness attachment point should be done with the aid of ENROLCABLE25 lanyard's connector conform to EN 362 standard.

A free space beneath the user must be verified at the workplace before each occasion of use the fall arrest system, so that, in the case of a fall, there will be no collision with the ground or other obstacle in the fall path.

When the device is installed in the vertical line above the user the minimal clearance distance below working level shall be 1,5 m.

When the cable of the retractable fall arrester is deflected from vertical line a pendulum effect occurs during fall arresting. In order to minimise the pendulum effect the cable deviation angle from vertical shall never exceed 40°. For this purpose the user is permitted to move laterally through distance "l" not greater than 1/2 "v". The clearance distance below working level must be greater than 1,5 m+ lateral distance "l" (fig. 2-2).

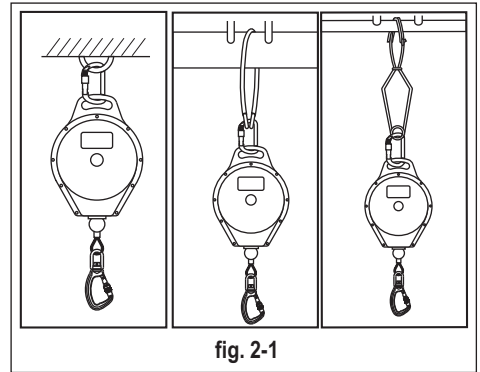


fig. 2-1

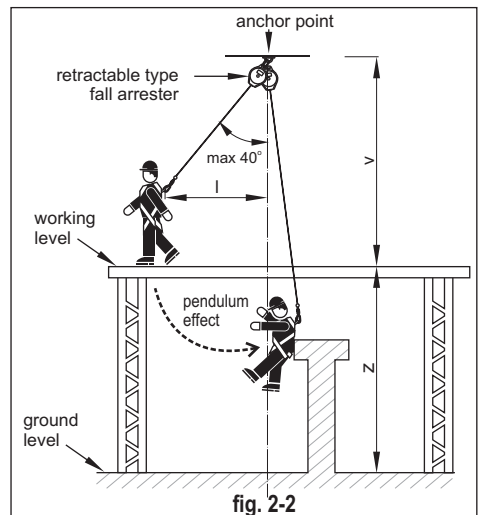


fig. 2-2

harness fastening points (buckles, loops) placed above the user's center of gravity. The connection should be done with the aid of the ENROLCABLE25 lanyard's connector conform to the EN362 standard.

During the rescue process, there should be direct or indirect visual contact or other means of communication with the rescuee at all times.

The lifting / lowering function is for rescue purposes only and not for loads.

The lifting / lowering function of the device may be applied both for vertical orientation and on the tripod installation.

The device lowering function is only intended to lower a person over a maximum distance of 2m.

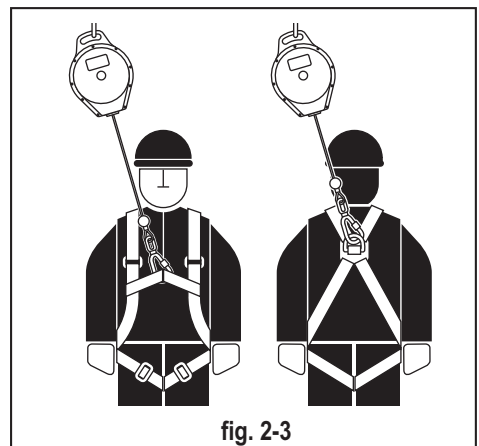


fig. 2-3

The switching from EN360 to EN1496 function may be done especially when the ENROLCABLE25 have arrested a fall and there is necessity to rescue of the user. In order to change the EN1496 function to EN360 pull out the locking pin "a" and next push in the crank axle "b" inwards (fig. 3-2). Then the device will act as a retractable fall arrester.

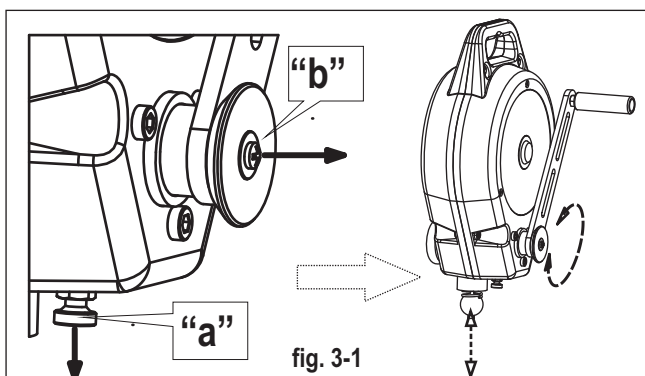


fig. 3-1

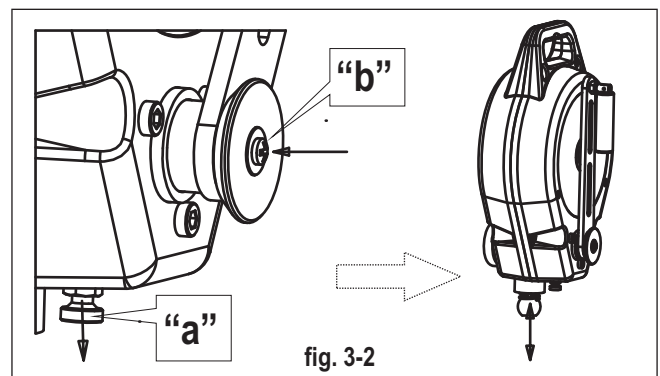
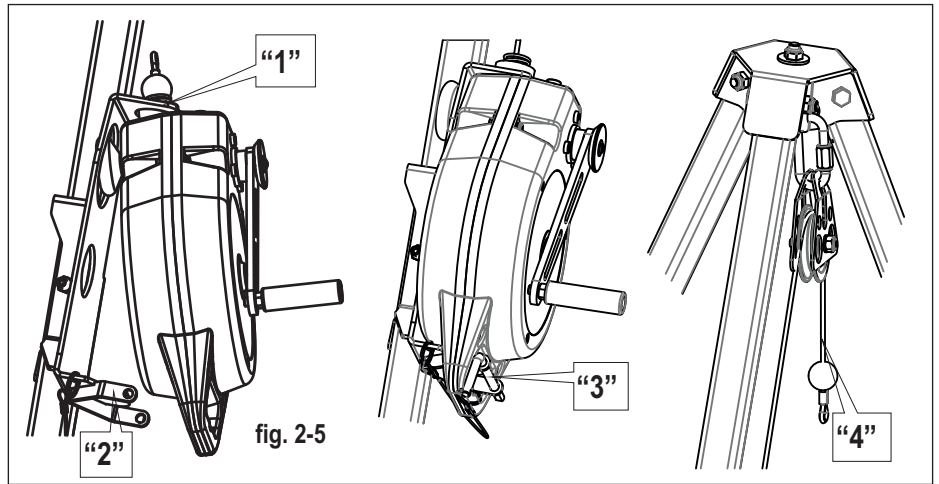
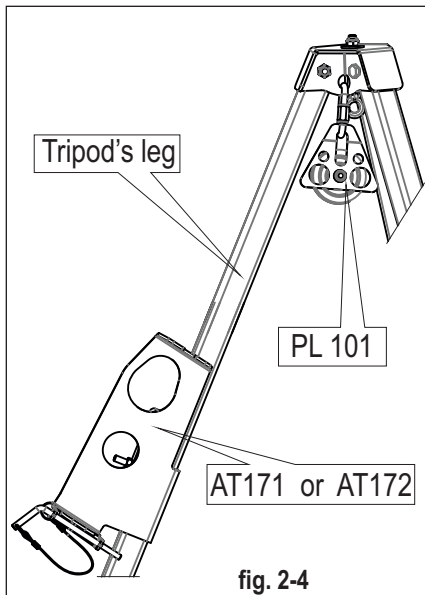


fig. 3-2

UTILIZATION WITH A TRIPOD



		TM6	TM7	TM9	TM9-L	TM9-W	TM10	TM12	TM12-2	TM13
ENROLCABLE25	AZ017	●	●	●	●		●	●	●	●
	AT171			●	●	●				
	AT172	●						●	●	●

The CRW 300 device may be used together with range of PROTEKT's tripods (see table). The ENROLCABLE25 may be installed on the tripod's leg (with the aid of adapters: AT171 / AT172) or suspended to tripod's head (with the aid of AZ017 connector). For utilization with some tripods (see table) the pulley PL101 will be necessary (fig.2-4).

The way of the ENROLCABLE25 mounting into AT171 / AT172 adapter is

GENERAL RULES OF UTILIZATION FOR PERSONAL PROTECTION ACC. EN360 AND FOR RESCUE ACC. EN1496

- The device must not be used by a person with medical condition that could affect the safety of the equipment user in normal and emergency use.
- The device and associated equipment shall only be used by a person trained and competent in its safe use.
- A rescue plan shall be in place to deal with any emergencies that could arise during the work.
- It is forbidden to make any alterations or additions to the equipment without the manufacturer's prior written consent; any repair shall only be carried out by equipment manufacturer or his certified representative.
- The equipment shall not be used outside its limitations, or for any purpose other than that for which it is intended - presented in this manual and relative standards.
- It is forbidden to use combinations of items of equipment in which the safe function of any one item is affected by or interferes with the safe function of another.
- Before each use of the device, a pre-use check should be carried out to ensure that it is in a serviceable condition and operates correctly. In particular, inspect physically all visually accessible elements of the equipment in respect of any damages, excessive wear, corrosion, abrasion, cutting or incorrect acting. Especially in the device - cable retracting and locking function and legibility of the product marking should be checked.
- The device must be withdrawn from use immediately when: (1) any doubt arise about its condition for safe use or (2) was engaged for arresting a fall. The device mustn't be used until a person competent for device inspection confirm in writing its usable condition after carried out the detailed inspection.
- The following hazards and environmental factors may affect the

described on the fig.2-5. Insert the ENROLCABLE25 cable sleeve into adapter's opening (step"1") and than slide onto the adapter's fork (step"2"). Secure the device with the aid of the adapter's pin (step"3"). After that, unwind the ENROLCABLE25 cable form the device and belay on the pulley PL 101 (step"4") or tripod's pulley.

- performance of the device: -trailing or looping of device lanyard over sharp edges,- pendulum falls,- temperature below (-30)°C and above (+50°C),- corrosive chemical agents,- electrical energy; -dust laden and greasy environment. A corresponding safety precautions should be observed during the device utilization in order to avoid improper operation.
- The ENROLCABLE25 device should be transported loosely packed, in such a way that is protected against: mechanical damages, contact with aggressive chemicals and wet.
- It is essential for the safety of the user that if the product is re-sold outside the original country of destination the reseller shall provide instructions for use, for maintenance, for periodic examination and for repair in language of the country in which the product is to be used.
- Regular periodical inspections are essential in terms of equipment condition and safety of users. Only fully operational equipment is able to provide safety. The device must be withdrawn from use and undergo a complete periodical inspection and maintenance, at least once a year (after 12 months of use). The inspection must be carried out by the equipment manufacturer or an authorised representative of the manufacturer. Such an inspection should check all equipment elements and functions according valid producer Service Manual. The date of the subsequent inspection should be specified as a consequence of the inspection.
- The factory where equipment is stored/ used is responsible for keeping the Operation Sheet for a particular device. The Sheet should include at least: the device name, serial number, date of purchase and date of first operation, user name, information concerning repairs and inspections and withdrawal from use. The Sheet should be completed by the person responsible for safety equipment in a given place of work. Equipment without a properly completed Operation Sheet cannot be used.

CLEANING

External surface of the ENROLCABLE25 casing and the wire rope lanyard can be cleaned with a wet cloth. Do not use any acid or basic solvents. Cable devices leave to dry in the unwound state. The cable lanyard can be

STORAGE

The ENROLCABLE25 device should be stored in a dry, ventilated, room temperature and free of aggressive chemicals places. Before the first usage the device must be stored in manufacturer package.

IDENTITY CARD of a personal protective equipment

It is the responsibility of the user organisation to provide the identity card and to fill in the details required.

The identity card should be filled in only by a competent person responsible for protective equipment.

The identity card should be filled in before the first use of the equipment.

Any information about the equipment like: periodic inspections, repairs, reasons of equipment's withdrawn from use shall be noted.

The identity card should be stored during a whole period of equipment utilization. Do not use the equipment without the identity card.

MODEL AND TYPE OF EQUIPMENT	
REF. NUMBER	
SERIAL NUMBER	
DATE OF MANUFACTURE	
DATE OF PURCHASE	
DATE OF FIRST USE	
USER NAME	

L'ECHELLE EUROPEENNE

PARC MARCEL DASSAULT 447 RUE HENRI FARMAN 34430 SAINT JEAN DE VEDAS ;

FRANCE

**L'ECHELLE
EUROPEENNE**

PERIODIC EXAMINATION AND REPAIR HISTORY

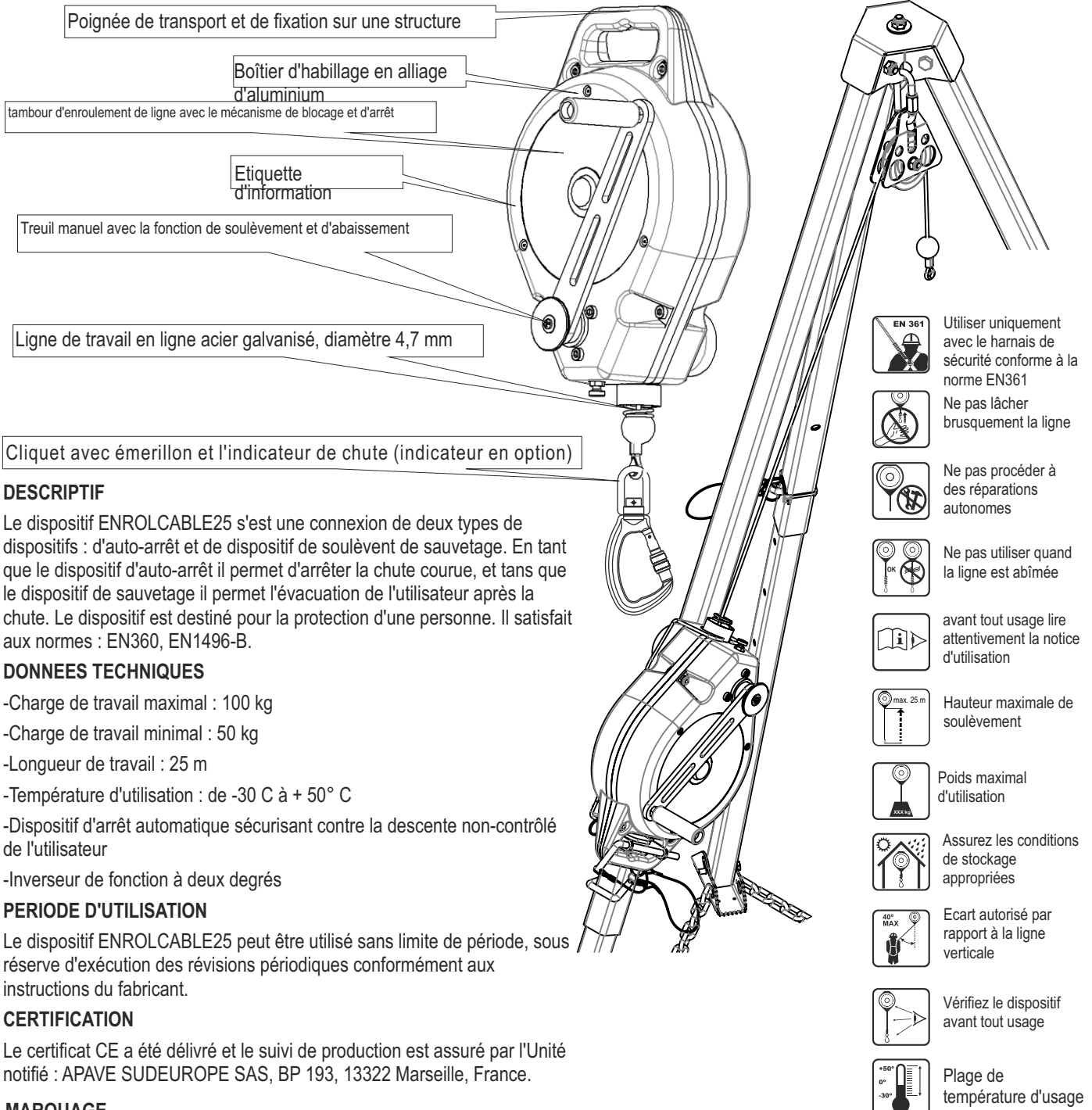
	DATE	REASON FOR SERVICING / REPAIR	CONDITION OF DEVICE AFTER SERVICING	NAME AND SIGNATURE OF COMPETENT PERSON	DATE OF NEXT EXAMINATION
1					
2					
3					
4					
5					
6					
7					
8					
9					
10					
11					

EN 360:2002
EN 1496:2006 - B

ENROLCABLE25
Ref.: EESER30025



Avant tout usage lire attentivement la présente notice



DESCRIPTIF

Le dispositif ENROLCABLE25 s'est une connexion de deux types de dispositifs : d'auto-arrêt et de dispositif de soulèvement de sauvetage. En tant que le dispositif d'auto-arrêt il permet d'arrêter la chute courue, et tans que le dispositif de sauvetage il permet l'évacuation de l'utilisateur après la chute. Le dispositif est destiné pour la protection d'une personne. Il satisfait aux normes : EN360, EN1496-B.

DONNEES TECHNIQUES

- Charge de travail maximal : 100 kg
- Charge de travail minimal : 50 kg
- Longueur de travail : 25 m
- Température d'utilisation : de -30 C à + 50° C
- Dispositif d'arrêt automatique sécurisant contre la descente non contrôlé de l'utilisateur
- Inverseur de fonction à deux degrés

PERIODE D'UTILISATION

Le dispositif ENROLCABLE25 peut être utilisé sans limite de période, sous réserve d'exécution des révisions périodiques conformément aux instructions du fabricant.

CERTIFICATION

Le certificat CE a été délivré et le suivi de production est assuré par l'Unité notifié : APAVE SUDEUROPE SAS, BP 193, 13322 Marseille, France.

MARQUAGE

DISPOSITIF D'AUTO-ARRET
EQUIPEMENT DE SAUVETAGE POUR SOULEVEMENT

nom de produit

numéro de catalogue : ENROLCABLE25

numéro de catalogue

longueur de ligne de travail : 25 m

longueur de ligne de travail

numéro de série : 0000000

numéro de série

date de fabrication : mm.RRRR

mois et année de fabrication

numéros et année d'édition des normes / conformités aux normes

désignation de fabricant

CE 0082

Marquage CE et numéro d'unité certifiée responsable de suivie de produit, conformément à l'article 11 de la Directive 89/686/EEC



Définition d'une prochaine révision périodique (mois et année)
Ne pas utiliser après cette date.
Remarque ! Avant le premier usage indiquer la date de la première révision périodique (c'est-à-dire la date du premier usage +12 mois)

EN 360:2002
EN 1496:2006 - B

INSTALLATION DU DISPOSITIF ENROLCABLE25 SUR LA STRUCTURE FIXE

Le dispositif ENROLCABLE25 peut être suspendu sur une structure fixe en l'accrochant à ce qu'on appelle le point d'ancrage fixe. Le dispositif doit être installé au-dessus de l'utilisateur, à une structure stable. L'élément de la structure fixe auquel le dispositif est fixé doit se caractériser par la résistance minimale de 12 kN et la forme empêchant la déconnexion accidentelle du dispositif de la structure fixe. Il est conseillé d'utiliser les dispositifs ou les points d'ancrage certifiés, conformes à la norme EN795. La poignée du dispositif ENROLCABLE25 doit être connectée à la structure fixe à l'aide du connecteur à ligne (bande) conforme à la norme EN795 (figure 2-1).

Dans le cas où le dispositif est installé en ligne

verticale au-dessus de l'utilisateur, l'espace minimal sous le poste de travail doit être de 1,5 m.

Si le dispositif n'est pas en position verticale sous l'utilisateur, lors de la chute apparaît un phénomène défavorable « l'effet de pendule ». Afin de minimiser cet effet, la ligne du dispositif ne peut pas être écartée de la ligne verticale de plus que 40°. Pour respecter cette condition du travail en sécurité, l'utilisateur ne doit pas se déplacer en horizontal du dispositif à une distance « l » supérieure à 1/2 de hauteur ENROLCABLE25 au-dessus du niveau de travail « v ». L'espace libre sous le niveau de l'exécution du travail doit être supérieur que la distance = 1,5 m + niveau de distance « l » (figure 2-2).

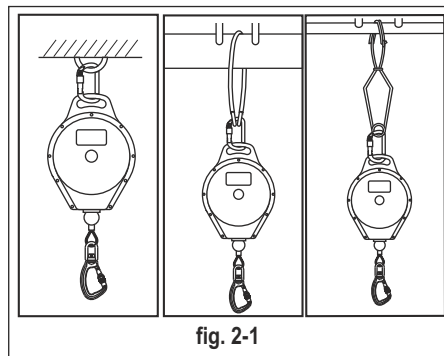


fig. 2-1

COLLABORATION AVEC LE HARNAIS

Dans le système d'arrêt de chute de hauteur, pour la collaboration avec le dispositif ENROLCABLE25 il convient d'utiliser le harnais de sécurité conforme à la norme EN 361. Lors de l'utilisation de la fonction du dispositif d'auto-arrêt (conforme à la norme EN360), la ligne du dispositif ENROLCABLE25 doit être attachée uniquement au point d'attache de l'harnais marqué par « A » (figure 2-3).

Lors de l'utilisation de la fonction du dispositif d'évacuation (conformément à la norme EN1496), en plus du point d'attache désigné par « A », il est possible d'utiliser le point d'attache de harnais conforme à la norme EN 1497.

La connexion entre la ligne du dispositif ENROLCABLE25 et le point d'attache du harnais doit être exécuté à l'aide du mousqueton conforme à la norme EN362. En cas de la mise en place du mousqueton sécurisé à l'aide de l'écrou, il convient de ne pas oublier à le viser en position rendant

impossible son ouverture accidentelle.

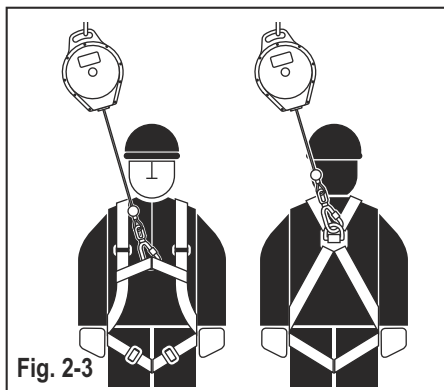


Fig. 2-3

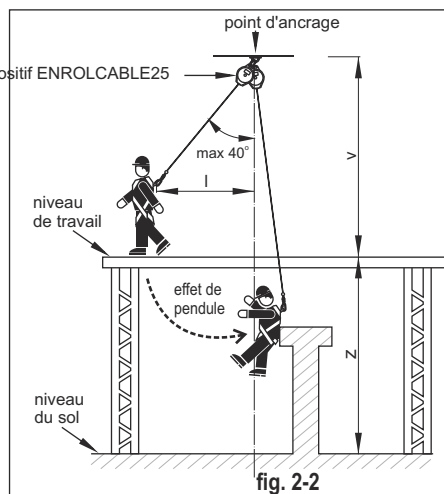


fig. 2-2

COLLABORATION AVEC LES TRÉPIEDS

Le dispositif ENROLCABLE25 peut être utilisé avec les trépieds de sécurité fabriqués par PROTEKT, par exemple TM9/TM11. Pour installer le dispositif sur le trépied et son usage sur le trépied, il convient d'utiliser le manchon de fixation AT171 (pour le trépied TM9) ou AT172 (pour le trépied TM11) et le bloc de ligne PL101 (figure 2-4).

Le mode de fixation du dispositif ENROLCABLE25 sur les trépieds est présenté sur la figure 2-5. Le dispositif ENROLCABLE25 doit être encastré dans le cadre du manchon, on insérant d'abord la douille

de guidage de la ligne ENROLCABLE25 dans l'ouverture sur la plaque frontale du manchon (étape « 1 ») et ensuite insérer le manchon ENROLCABLE25 sur les fourches du manchon (étape « 2 »). Ensuite, il convient de sécuriser le dispositif à l'aide d'un verrou transversal (étape « 3 ») et sortir la ligne du dispositif ENROLCABLE25 et la passer à travers le bloc PL101 (étape « 4 »).

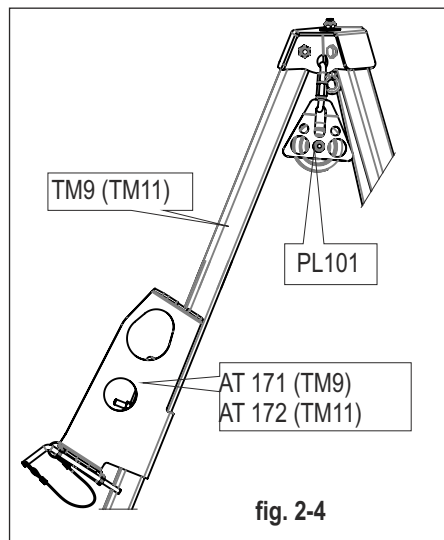
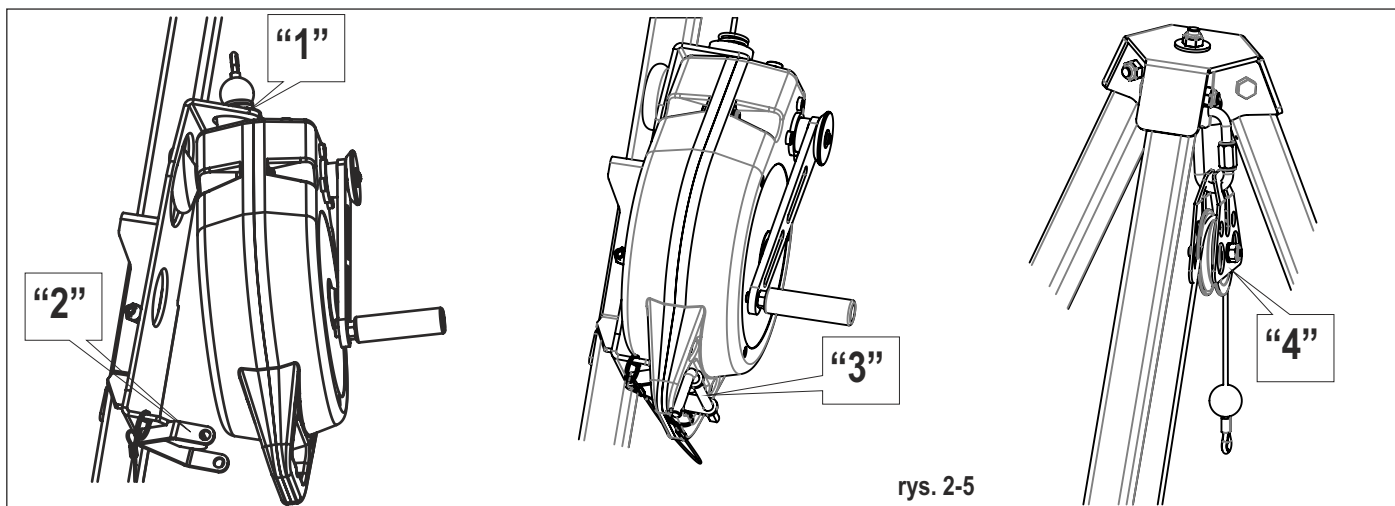


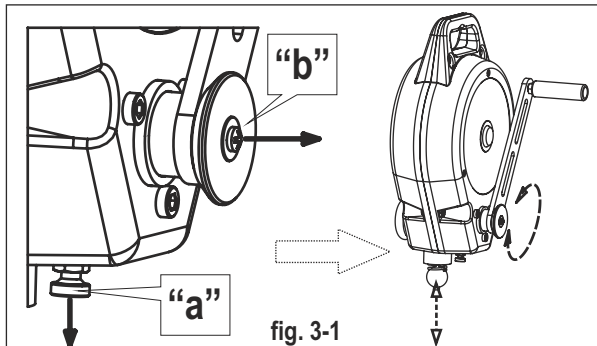
fig. 2-4



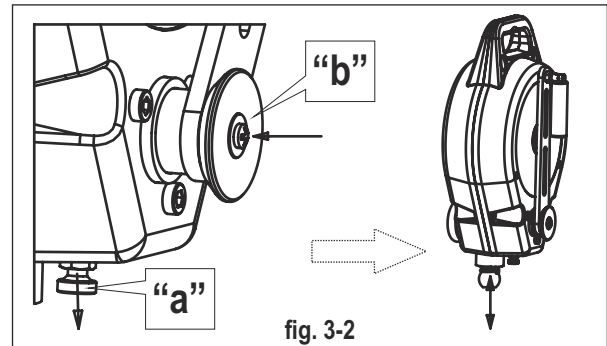
rys. 2-5

INVERSEMENT ENTRE LES FONCTIONS DU DISPOSITIF D'AUTO-ARRÊT (EN 360) ET DU DISPOSITIF DE SAUVETAGE (EN 1496)

Les fonctions EN 360 ou EN1496 du dispositif ENROLCABLE25 sont utilisés séparément après l'inversement du mécanisme à manivelle. Pour inverser la fonction EN 360 en EN1496 il convient de procéder aux opérations indiquées sur la figure 3-1 et notamment : sortir le verrou de sécurisation « a » et ensuite sortir l'axe de manivelle « b ». En tournant la manivelle, la ligne du dispositif est sortie ou entrée au dispositif de façon contrôlée. L'inversement de la fonction EN360 en EN1496 peut



se faire également sous charge en état de la suspension de l'utilisateur après l'arrêt de chute, quand il y a le besoin de son sauvetage. Pour inverser la fonction EN1496 en EN360 il convient de procéder aux opérations indiquées sur la figure 3-2 et notamment : sortir le verrou de sécurisation « a » et ensuite enfoncer l'axe de manivelle « b » à l'intérieur du dispositif. En résultat, le dispositif ENROLCABLE25 travaillera comme le dispositif d'auto-arrêt.



ENTRETIEN

La surface extérieure du boîtier et la ligne du dispositif ENROLCABLE25 peuvent être nettoyés à l'aide d'un chiffon humide. Il est strictement interdit d'utiliser les dissolvants ou les substances caustiques. La ligne doit être laissée en état déroulé pour le séchage. La ligne, après le nettoyage, peut être traitée avec de l'huile pour les machines.

STOCKAGE

Le dispositif ENROLCABLE25 doit être stocké dans des locaux secs, ventilés, à la température ambiante, sans l'accès des produits chimiques agressifs.

Avant le premier usage, il convient de stocker le dispositif en emballage original (de fabricant).

REGLES DE BASE DE L'UTILISATION DU DISPOSITIF ENROLCABLE25 COMME L'EQUIPEMENT DE PROTECTION CONTRE LA CHUTE D'HAUTEUR

- L'équipement de protection individuelle doit être utilisé uniquement par les personnes compétentes et ayant suivi la formation de son usage.
- L'équipement de protection individuelle ne peut pas être utilisé par les personnes dont l'état de santé pourrait constituer un risque supplémentaire aussi bien lors d'usage classique qu'en action de sauvetage.
- Il convient d'élaborer pour chaque poste de travail un plan de sauvetage tenant compte des risques potentiels.
- Lors de l'action de sauvetage il convient de maintenir le contact visuel direct ou indirect ou assurer un autre moyen de communication avec la personne évacuée.
- La fonction de soulèvement (abaissement) du dispositif ENROLCABLE25 peut être utilisée uniquement pour l'évacuation des personnes et non pour le transport des marchandises.
- La fonction de sauvetage du dispositif ENROLCABLE25 peut être utilisée aussi bien en position verticale du dispositif que quand il est installé sur le trépied.
- La fonction d'abaissement du dispositif ENROLCABLE25 est destinée pour l'abaissement des personnes sur une distance ne dépassant pas 2 mètres.
- Il est strictement interdit de procéder à quelconques modifications du dispositif sans l'accord préalable, écrit du fabricant.
- Toutes réparations peuvent être exécutées uniquement par le fabricant ou par son service agréé.
- L'équipement de protection individuelle ne peut pas être utilisé dans l'étendue dépassant ses paramètres autorisés ou dans d'autres buts que ceux définies.
- L'équipement de protection individuelle doit être remis à l'usage personnel.
- Avant tout usage il convient de s'assurer que tous les éléments composants du système de protection sont compatibles les uns avec les autres.
- Lors de l'utilisation, il convient de vérifier périodiquement l'état des connexions et d'ajustement des éléments particulier afin d'éviter leur relâchement et déconnexion accidentels.
- Il est strictement interdit d'utiliser les combinaisons des éléments dont les fonctions de sécurité d'un d'eux sont perturbées ou sont doublées par la fonction d'un autre composant.
- Avant tout usage il convient de vérifier l'état technique de l'équipement de protection pour s'assurer qu'il est en bon état et fonctionne correctement.
- Lors de l'inspection avant l'usage, il convient de vérifier tous les éléments de l'équipement pour vérifier s'ils ne présentent pas d'usure trop excessive, de marques de corrosion, d'éraillure, de coupure ou de mauvais fonctionnement. Dans le cas du dispositif ENROLCABLE25 il convient de vérifier particulièrement l'enroulement automatique de la ligne dans le dispositif et le fonctionnement correct de blocage, ainsi que la lisibilité de marquage.
- Les révisions périodiques sont particulièrement importantes pour l'utilisation du dispositif en toute sécurité. Le dispositif ENROLCABLE25 doit être retiré d'usage et soumis à une révision périodique au moins une fois par année (après tous les 12 mois d'usage). La révision périodique doit être exécutée par le fabricant ou par son service

agréé conformément à la procédure de révision validée par le fabricant. Suite à la révision il convient de définir la date de prochaine révision périodique.

- L'équipement de protection doit être retiré d'usage immédiatement après l'apparition de quelconques doutes concernant son usage. La réintroduction du dispositif pour l'usage peut se faire seulement après la confirmation écrite du fabricant ou son service agréé suite à un contrôle technique.
- La structure à laquelle le dispositif est attaché doit être stable et le travail sur les hauteurs doit être organisé de façon à minimiser le risque de chute et la distance de la chute potentielle. La forme de l'élément de la structure fixe auquel le dispositif est attaché ne peut pas permettre à la déconnexion accidentelle du dispositif. La résistance minimale des éléments de structure fixe utilisés pour l'encrage de l'équipement de protection doit être de 12 kN. Il est conseillé d'utiliser les points et les dispositifs d'encrage certifiés et marqués, conformes à la norme NE795.
- Avant chaque usage de l'équipement de protection contre la chute de hauteur, il convient de définir la taille de l'espace libre sous l'utilisateur, de façon à éviter le choc contre le sol ou un autre obstacle localisé sur la voie de chute en cas de chute de l'utilisateur. La longueur de l'espace libre doit être définie conformément aux informations définies dans les notices d'utilisation des éléments composants particuliers du système de protection.
- Quand lors de l'usage du dispositif apparait le risque : - de contact de la ligne avec les éléments à arrêts pointus, - de contact avec les câbles électriques sous tension ; - de « effet de pendule » lors de la chute d'utilisateur ; - d'action des températures dépassant la plage admissible d'usage ; - d'activité des facteurs chimiques ; - de travail en milieu poussiéreux ou à forte teneur en huiles ; il convient de payer une attention particulier et mettre en place des moyens de protection supplémentaires.
- Lors du transport, il convient de protéger le dispositif contre l'endommagement mécaniques, l'activité des produits chimiques agressifs et l'infiltration de l'eau, des graisses et des impuretés à l'intérieur du dispositif.
- En cas de l'introduction du dispositif en vente ou en usage dans un autre pays que suivant les prévisions initiales, le fabricant/distributeur est obligé de fournir les notices d'utilisation, d'entretien, de révision périodiques et de réparations en langue en vigueur dans le pays ou le produit sera utilisé.

CHARTRE D'UTILISATION DE L'EQUIPEMENT DE PROTECTION INDIVIDUELLE

L'entreprise utilisant le dispositif de protection est responsable de l'émission et de la tenue de la Charte d'utilisation de l'équipement de protection possédé.

La Charte d'utilisation doit être tenue par une personne compétente, responsable de l'équipement de protection dans une entreprise donnée.

La charte doit être remplie avant la première remise du dispositif en usage.

Il convient de noter dans la charte toutes les informations concernant : les contrôles périodiques, les réparations et les causes du retrait de l'équipement de l'usage.

La charte doit être conservée pendant toute la période d'utilisation du produit. L'équipement de protection dépourvu de la charte d'utilisation ne peut pas être utilisé.

Nom de produit	
Type ou le numéro de catalogue	
Numéro de série	
Date de fabrication	
Date d'achat	
Date de première mise en usage	
Nom (désignation) d'utilisateur	

L'ECHELLE EUROPEENNE

PARC MARCEL DASSAULT 447 RUE HENRI FARMAN 34430 SAINT JEAN DE VEDAS ;
FRANCE

AL'ECHELLE EUROPEENNE

REGISTRE DES CONTROLES PERIODIQUES, D'ENTRETIEN ET DES REPARATIONS

	Date	Cause de réparation (entretien)	État du produit après le contrôle (réparation)	Nom et signature de la personne responsable	Date d'un suivant contrôle technique
1					
2					
3					
4					
5					
6					
7					
8					
9					
10					
11					



ENROLCABLE25

Nº de cat. **EESER30025**

Asa para transportar y suspender en la estructura

Carcasa de aleación de aluminio

Tambor de cable con mecanismo de bloqueo y freno

Etiquetas informativas

Manivela para elevar y bajar

Cable de trabajo de cable de acero galvanizado, diámetro de 4,7 mm

Mosquetón con grillete giratorio e indicador de caída (indicador opcional)

DESCRIPCIÓN

El dispositivo ENROLCABLE25 es una combinación del dispositivo autoretráctil y del dispositivo de elevación de rescate. Como el dispositivo autoretráctil permite prevenir caídas y como el dispositivo de elevación de rescate permite evacuar al usuario tras la prevención de una caída. Está destinado a proteger a una persona. Cumple los requisitos de las normas: EN360, EN1496-B.

DATOS TÉCNICOS

- carga de trabajo máxima: 100 kg;
- carga de trabajo mínima: 50 kg;
- largo de trabajo: 25 m;
- temperatura de uso: de (-30°C) a +50°C;
- freno automático de protección contra bajada no controlada del usuario;
- conmutador bi-estado de las funciones.

PERIODO DE USO

El dispositivo ENROLCABLE25 puede usarse sin limitaciones temporales siempre que se realicen revisiones periódicas de acuerdo con las instrucciones del fabricante.

CERTIFICACIÓN

El certificado CE expedido por y la producción supervisada por la Unidad Notificada:
APAVE SUDEUROPE SAS, BP 193, 13322 Marsella, Francia.

MARCADO

DISPOSITIVO AUTORETRÁCTIL DISPOSITIVO DE ELEVACIÓN DE RESCATE	nombre del producto
Nº de catálogo: ENROLCABLE25	número de catálogo del dispositivo
Largo de trabajo: 25 m	largo de trabajo del cable
Nº de serie: 0000000	número de serie
Fecha de fabricación: mm.RRRR	mes y año de fabricación

EN 360:2002

EN 1496:2006 -B

L'ECHELLE
HEUROPEENNE

números y año de edición de las normas aplicables, conformidad con las normas

marca del fabricante

CE 0082

marca CE y número de la unidad notificada responsable del control del producto, de acuerdo con el art. 11 de la Directiva 89/686/CEE.



Marcado del control periódico siguiente (mes y año). No usar una vez expirado este plazo. ¡ATENCIÓN! Antes del primer uso marcar la fecha del primer control periódico (es decir, fecha del primer uso +12 meses)



Usar únicamente con el arnés de seguridad conforme a EN361



No soltar el cable bruscamente



No reparar el dispositivo por su propia cuenta



No usar si el cable está dañado



Antes de usar lea el manual de uso



Altura máxima de elevación



Asegure condiciones de almacenaje adecuadas



Desviación permitida del plano vertical



Controle el dispositivo antes del uso



Rango de temperaturas de uso



Antes de usar controle si el bloqueo funciona bien

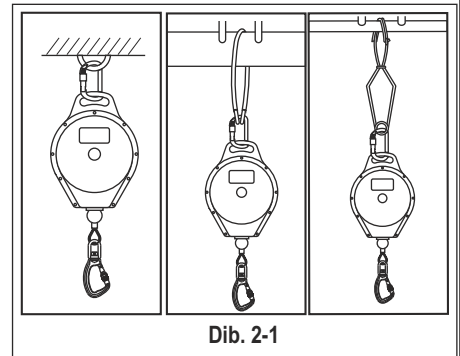
INSTALACIÓN DEL DISPOSITIVO ENROLCABLE25 EN LA ESTRUCTURA FIJA

El dispositivo ENROLCABLE25 puede suspenderse en la estructura fija mediante su fijación a así llamado punto de amarre fijo. El dispositivo debe instalarse por encima del usuario, a una estructura estable. El elemento de la estructura fija a la que está fijado el dispositivo debe tener la resistencia mínima de 12 kN y forma que impida la desconexión automática del dispositivo de la estructura fija. Es recomendable el uso de dispositivos o puntos de amarre certificados conformes a la norma EN 795. El asa del dispositivo ENROLCABLE25 debe conectarse con la estructura fija mediante un conector conforme a EN 362 (ej. AZ017) o engate de cable (cinta) conforme a EN 795 (dib. 2-1).

Si el dispositivo se instala en la línea vertical encima del usuario, el espacio mínimo

requerido debajo del lugar de trabajo debe ser de 1,5 m.

Si el dispositivo no se encuentra en la línea vertical encima del usuario, durante la prevención de una caída se produce un "efecto de péndulo". Con el objetivo de minimizar este efecto, el cable del dispositivo no debe desviarse del plano vertical más del ángulo de 40°. Para cumplir esta condición para el trabajo seguro, el usuario no debe desplazarse en el plano horizontal a una distancia "l" superior a 1/2 de alto del ENROLCABLE25 por encima del nivel de trabajo "v". El espacio libre debajo del nivel de realización del trabajo debe ser superior a la distancia $z=1,5\text{ m} + \text{distancia horizontal "l"}$ (dib. 2-2).



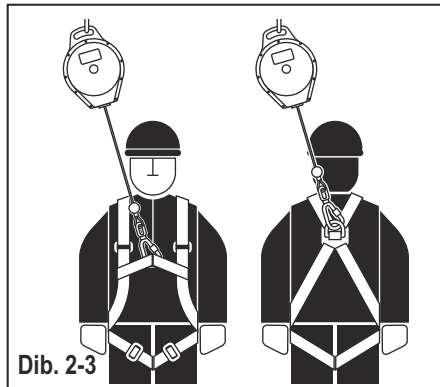
Dib. 2-1

COOPERACIÓN CON EL ARNÉS

En el sistema anticaídas, para la cooperación con el dispositivo ENROLCABLE25 se deben usar el arnés de seguridad conformes a EN 361. Durante el uso de las funciones del dispositivo autoretráctil (conforme a EN 360), el cable del dispositivo ENROLCABLE25 debe conectarse únicamente al engate de el arnés marcado con "A" (dib. 2-3).

Durante el uso de las funciones del dispositivo de evacuación (conforme a EN 1496), además del engate marcado con "A", puede emplearse un engate de el arnés conforme a EN 1497.

La conexión entre el cable del dispositivo ENROLCABLE25 y el engate de el arnés debe realizarse mediante un conector conforme a EN 362. Si se usa un conector asegurado con la tuerca, siempre recuerde apretarla en una posición que impida su desconexión accidental.



Dib. 2-3

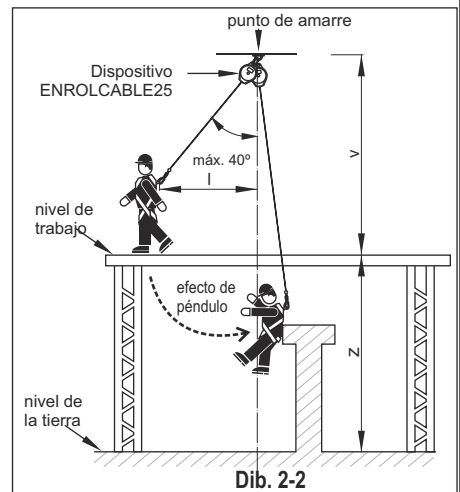
COOPERACIÓN CON LOS TRÍPODES

El dispositivo ENROLCABLE25 puede usarse con los trípodes de seguridad de la marca PROTEKT, ej. TM9 / TM11. Con el objetivo de instalar el dispositivo en el trípode y usarlo junto con él, emplear el asa de fijación AT171 (para el trípode TM9) o AT172 (para el trípode TM11) y la polea PL101 (dib. 2-4).

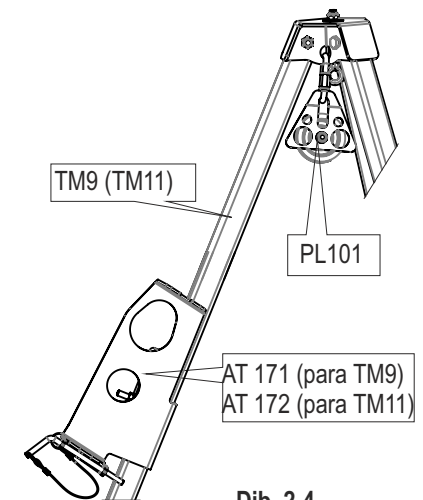
El modo de instalación del dispositivo ENROLCABLE25 en los trípodes se muestra

en el dib. 2-5.

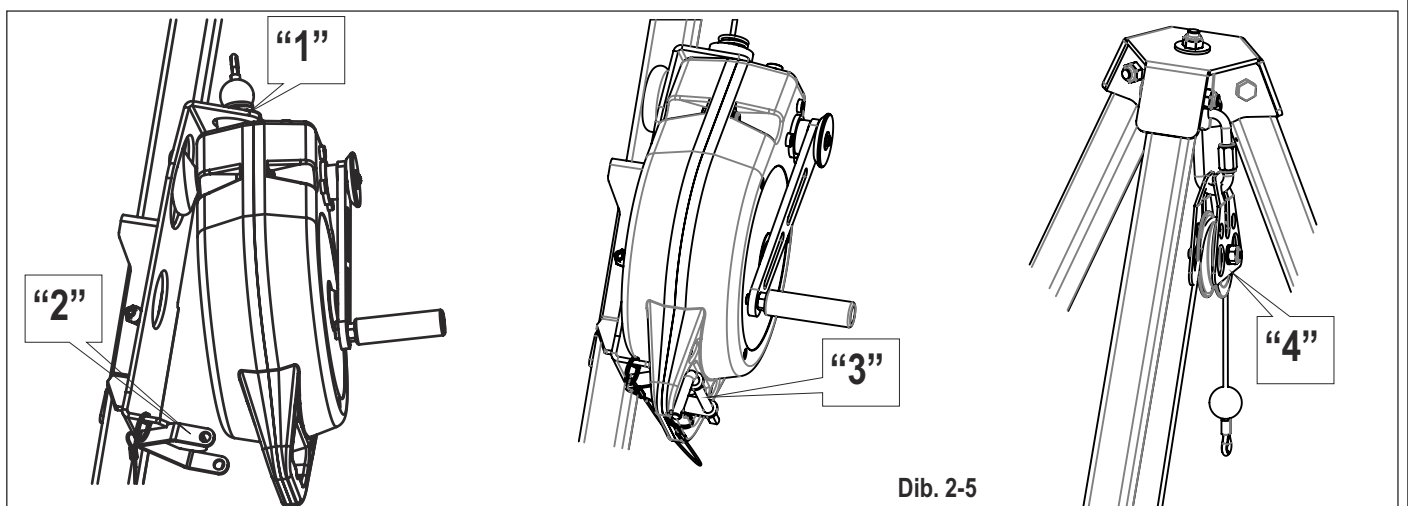
El dispositivo ENROLCABLE25 debe asentarse en el marco del asa, introduciendo primero el casquillo de conducción del cable ENROLCABLE25 en el orificio en el panel frontal del asa (paso "1") y luego meter el asa ENROLCABLE25 en las horquillas del asa (paso "2"). Luego se debe asegurar el dispositivo mediante un pasador (paso "3") y sacar el cable del dispositivo ENROLCABLE25



Dib. 2-2



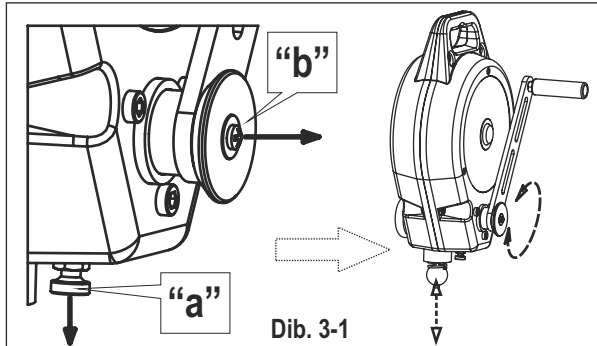
Dib. 2-4



Dib. 2-5

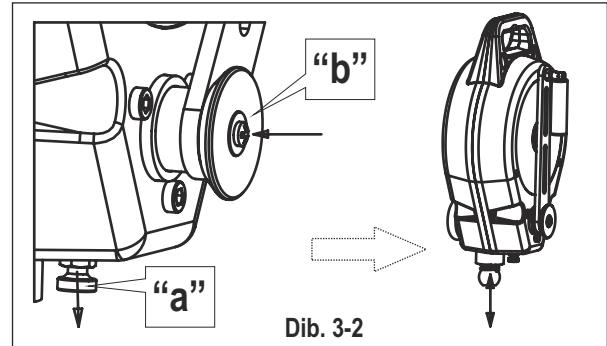
CONMUTACIÓN ENTRE LAS FUNCIONES DEL DISPOSITIVO AUTORETRÁCTIL (EN360) Y DISPOSITIVO DE EVACUACIÓN (EN1496)

Las funciones EN360 o EN1496 del dispositivo ENROLCABLE25 se aplican por separado, tras conmutar el mecanismo de manivela. Para cambiar la función EN360 para EN1496 se deben realizar las operaciones mostradas en el dib. 3-1, es decir: retirar el pasador de aseguramiento "a" y luego sacar el eje de la manivela "b". Al girar la manivela, el cable se enrolla o suelta del dispositivo de forma controlada. La conmutación de la función EN360 para EN1496 puede



Dib. 3-1

realizarse también bajo la carga, si el usuario está suspendido tras la prevención de una caída cuando sea necesaria su evacuación. Con el objetivo de cambiar la función EN1496 para EN360 se deben realizar las operaciones mostradas en el dib. 3-2, es decir: retirar el pasador de aseguramiento "a" y luego empujar el eje de la manivela "b" en el interior del dispositivo – el dispositivo ENROLCABLE25 trabajará como un dispositivo autoretráctil.



Dib. 3-2

MANTENIMIENTO

La superficie externa de la carcasa y el cable del dispositivo ENROLCABLE25 pueden limpiarse con un tejido húmedo. No se pueden usar disolventes ni sustancias agresivas. Se debe dejar el cable para que se seque en estado desenrollado. Una vez limpiado, el cable puede conservarse con el aceite para máquinas.

ALMACENAMIENTO

El dispositivo ENROLCABLE25 debe almacenarse en un lugar seco, ventilado, a temperatura ambiente, no expuesto a sustancias químicas agresivas. Antes del primer uso, el dispositivo debe almacenarse en el embalaje original del fabricante.

PRINCIPIOS BÁSICOS DEL USO DEL DISPOSITIVO ENROLCABLE25 COMO EQUIPO ANTICAÍDAS

- Solo las personas competentes e instruidas pueden usar el equipamiento de protección individual.
- El equipamiento de protección individual no puede ser usado por personas cuyo estado de salud pueda constituir un riesgo adicional, tanto durante el uso normal como en acciones de rescate.
- Para cada puesto de trabajo debe elaborarse un plan de rescate que tenga en cuenta riesgos potenciales.
- Durante una acción de rescate se debe mantener un contacto visual directo o indirecto con la persona evacuada o asegurar otro modo de comunicación.
- La función de elevación (bajada) del dispositivo ENROLCABLE25 puede utilizarse únicamente para la evacuación de personas, y no para el transporte de mercancías.
- La función de evacuación del ENROLCABLE25 puede utilizarse tanto en la orientación horizontal del dispositivo, como en la posición en el trípode.
- La función de bajada del dispositivo ENROLCABLE25 está destinada a bajar a personas a distancia no superior a 2 m.
- Está prohibido realizar cualesquier alteraciones o modificaciones en el producto sin previa autorización por escrito del fabricante.
- Toda reparación puede ser llevada a cabo únicamente por el fabricante o un servicio autorizado.
- El equipamiento de protección individual no debe usarse cuando se excedan sus parámetros permitidos o para otros fines que los indicados.
- El equipamiento de protección individual debe entregarse para el uso personal.
- Antes de empezar a usar el dispositivo asegúrese de que los componentes del sistema de protección son compatibles entre sí.
- Durante el uso, es necesario controlar el estado de conexiones y ajustes de los componentes para evitar su aflojamiento o desconexión accidental.
- Está prohibido usar una combinación de los componentes en la que la función de protección de uno de ellos esté perturbada o coincida con la función de protección de otro componente.
- Antes de cada uso se debe controlar el estado técnico del equipamiento de protección para asegurarse de que está en buen estado y funciona correctamente.
- Durante el control antes del uso, es necesario controlar todos los elementos del equipamiento por daños, desgaste excesivo, corrosión, rozaduras, cortes o funcionamiento incorrecto. En el caso del dispositivo ENROLCABLE25 en particular se debe controlar en enrollamiento automático del cable al dispositivo y la corrección de bloqueo, así como si el marcado es legible.
- Las revisiones periódicas son sumamente importante para el uso seguro del dispositivo. El dispositivo ENROLCABLE25 debe retirarse del uso y someterse a una revisión periódica al menos una vez al año (después de cada 12 meses

- del uso). La revisión periódica debe ser llevada a cabo por el fabricante o su servicio autorizado, de acuerdo con el procedimiento de revisiones aprobado por el fabricante. Durante la revisión se debe determinar también la fecha de la revisión siguiente.
- El equipo de protección debe retirarse del uso inmediatamente si surgen cualesquier dudas en cuanto a su uso seguro. El dispositivo puede volver a usarse después de una autorización por escrito del fabricante o de su servicio autorizado tras realizar el control técnico.
- La estructura a la que se amarra el dispositivo debe ser estable, y el trabajo en alturas debe organizarse de forma que se minimice el riesgo de caídas y la distancia de una eventual caída. El dispositivo (punto) de amarre, si posible, debe encontrarse por encima del usuario. La forma del elemento de la estructura fija a la que está conectado el equipo de protección no debe permitir la desconexión automática (accidental) del equipo. La resistencia mínima de los elementos de la estructura fija usados para amarrar el equipo de protección debe ser de 12 kN. Es recomendable el uso de puntos o dispositivos de amarre certificados y marcados, de acuerdo con EN795.
- Antes de cada uso del equipo de protección anticaídas, es necesario evaluar el espacio libre debajo del usuario para que, durante una caída, no se produzca su choque contra el suelo u otros obstáculos existentes en el camino de la caída. El espacio libre requerido debe determinarse según los datos indicados en los manuales de uso de cada uno de los componentes del sistema de protección.
- Si al usar el dispositivo existen riesgos de: contacto del cable con los elementos de bordes agudos; contacto con los cables eléctricos bajo tensión; "efecto de péndulo" durante la caída del usuario; temperaturas que excedan el rango indicado para el producto; sustancias químicas; trabajo en un entorno polvoriento o engrasado, se debe actuar con sumo cuidado y tomar precauciones adicionales.
- Durante el transporte el dispositivo debe protegerse contra daños mecánicos, sustancias químicas agresivas o penetración del agua, grasa e impurezas en el dispositivo.
- Si el dispositivo se vende o usa en otro país que se preveía originalmente, el que lo lanza debe suministrar los manuales de uso, mantenimiento, control periódico y reparaciones en la lengua del país en que se usará el producto.

FICHA DE USO del equipo de protección individual

La empresa que usa el equipo de protección es responsable de la expedición y cumplimiento de la Ficha de Uso para el equipo de protección del que dispone.

La Ficha de Uso debe ser cumplimentada por la persona competente, responsable del equipo de protección en la empresa.

La Ficha debe cumplimentarse antes de la primera entrada del equipo para el uso.

En la Ficha debe apuntarse toda información relativa al equipo: controles periódicos, reparaciones y motivos para la retirada del uso.

La Ficha debe guardarse durante todo el periodo de uso del producto. El equipo de protección sin la Ficha de Uso no puede usarse.

Nombre del producto	
Tipo o número de catálogo	
Número de serie	
Fecha de fabricación	
Fecha de compra	
Fecha de la primera entrega para el uso	
Nombre del usuario	

L'ECHELLE EUROPEENNE
PARC MARCEL DASSAULT 447 RUE HENRI FARMAN 34430 SAINT JEAN DE VEDAS
FRANCE

L'ECHELLE
EUROPEENNE

REGISTRO DE CONTROLES PERIÓDICOS, MANTENIMIENTO Y REPARACIONES

	Fecha	Causa de la reparación (mantenimiento)	Estado del producto tras el control (reparación)	Nombre y firma de la persona responsable	Fecha de la revisión técnica siguiente
1					
2					
3					
4					
5					
6					
7					
8					
9					
10					
11					